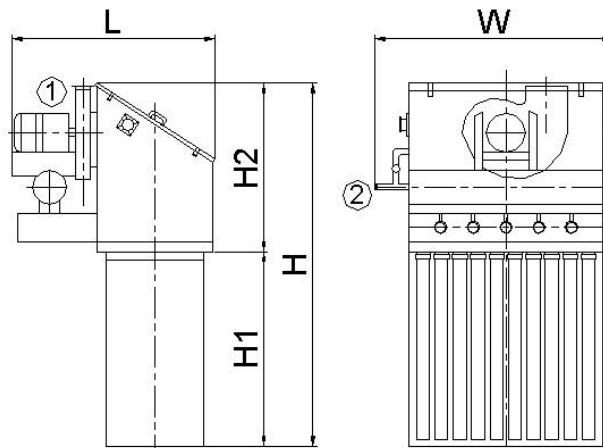




Dust Filter LCR

Type	LCR-4/7	LCR-6/10	LCR-7/7	LCR-10/10	LCR-8/7	LCR-12/10
Filter area (m ²)	4	6	7	10	8	12
No. of bag	6	6	7	10	8	12
Bag length (m)	0.7	1.0	0.7	1.0	0.7	1.0
Air volume (m ³ /h)	700	1000	1250	1750	1350	2000
Dimension (mm) W×L×H	825×965 ×1500	825×975 ×1800	1225×1035 ×1570	1225×1035 ×1870	825×1585 ×1570	825×1585 ×1870

Type	LCR-14/7	LCR-20/10	LCR-21/7	LCR-30/10	LCR-39/10
Filter area (m ²)	14	20	21	30	39
No. of bag	14	20	21	30	39
Bag length (m)	0.7	1.0	0.7	1.0	1.0
Air volume (m ³ /h)	2400	3500	3600	5100	6500
Dimension (mm) W×L×H	1225×1690 ×1630	1225×1690 ×1930	1225×2290 ×1770	1225×2375 ×2070	1525×2397 ×2070



① Exhaust fan

② High-pressure purge air



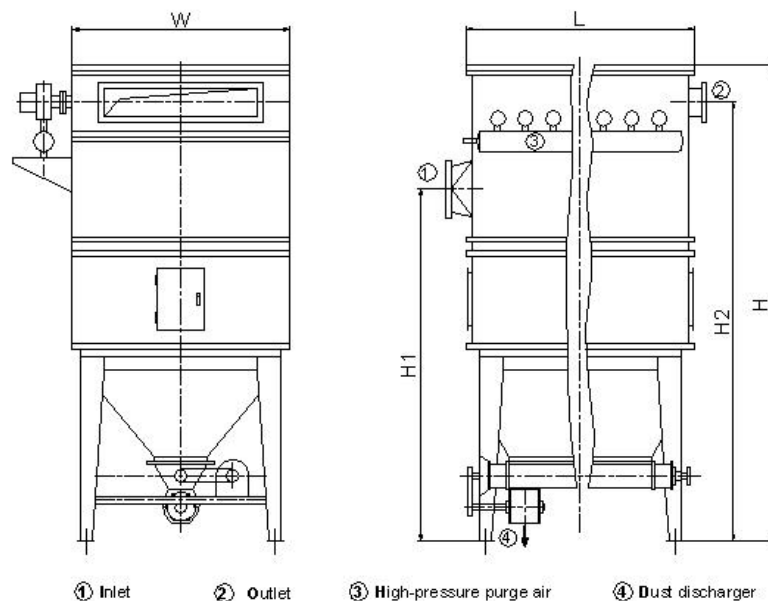
Dust Filter BLM

Type	BLM-24	BLM-36	BLM-48	BLM-60	BLM-72	BLM-84
No. of bag	24	36	48	60	72	84
Filter area (m ²)	18	27	36	45	54	63
Air volume (m ³ /h)	2160~4320	3240~6480	4320~8630	5400~10800	6450~12900	7550~15100
No. of diaphragm valve	4	6	8	10	12	14
H (mm)	3950	3950	3950	3950	3950	3950
H ₁ (mm)	3246	3226	3196	3186	3146	3113
H ₂ (mm)	3745	3745	3745	3745	3745	3745
L (mm)	1000	1400	1800	2200	2600	3000
W (mm)	1800	1800	1800	1800	1800	1800



Dust Filter BLM

BLM-96	BLM-108	BLM-120	BLM-156
96	108	120	156
72	81	90	117
8650~17300	9720~19440	10800~21600	14040~28080
16	18	20	26
3950	3980	3980	3980
3113	3143	3120	3120
3745	3775	3775	3775
3400	3800	4200	5400





Dust Filter LYDZ

Type		LYDZ 18			LYDZ 26		
No. of Bag		18			26		
Length of bag (mm)		1800	2000	2400	1800	2000	2400
Air volume (m ³ /h)		714~3570	792~3960	954~4770	1032~5160	1146~5730	1380~6900
Filter area (m ²)		11.9	13.2	15.9	17.2	19.1	23
MODEL(A)	H	3420	3620	1020	3520	3720	4120
	H ₁	2992	3192	3592	3092	3292	3692
	H ₂	2467	2067	3067	2517	2717	3117
MODEL(C)	H	3648	3848	4248	3841	4041	4441
	H ₁	3220	3420	3820	3413	3613	4013
	H ₂	2695	2895	3295	2838	3038	3438
D (mm)		Ø1000			Ø1140		
L (mm)		607			705		
B (mm)		420			530		
C (mm)		300			300		
m (mm)		400			500		
n (mm)		215			270		



Dust Filter LYDZ

Type		LYDZ 39			LYDZ 52		
No. of Bag		39			52		
Length of bag (mm)		1800	2000	2400	1800	2000	2400
Air volume (m ³ /h)		1542~7710	1722~6810	2076~10380	2112~10560	2292~11460	2766~13830
Filter area (m ²)		25.7	28.7	34.6	35.2	38.0	46.1
MODEL(A)	H	3433	3633	4033	3433	3633	4033
	H ₁	3030	3230	3630	3030	3230	3630
	H ₂	2405	2605	3005	2350	2550	2950
MODEL(C)	H	4066	4266	4666	4285	4485	4885
	H ₁	3663	3863	4263	3882	4082	4482
	H ₂	3038	3238	3638	3202	3402	3802
D (mm)		Ø1340			Ø1500		
L (mm)		820			930		
B (mm)		620			1000		
C (mm)		320			320		
m (mm)		650			760		
n (mm)		300			360		



Dust Filter LYDZ

Type		LYDZ 78			LYDZ 104		
No. of Bag		78			104		
Length of bag (mm)		1800	2000	2400	1800	2000	2400
Air volume (m ³ /h)		3090~15450	3438~17190	4146~20730	4116~20580	4590~22950	5526~27630
Filter area (m ²)		51.5	57.3	69.1	68.6	76.5	92.1
MODEL(A)	H	3473	3673	4073	3473	3673	4073
	H ₁	3070	3270	3670	3070	3270	3670
	H ₂	2370	2570	2970	2370	2570	2970
MODEL(C)	H	4726	4926	5326	4972	5172	5572
	H ₁	4323	4523	4923	4569	4769	5169
	H ₂	3623	3823	4223	3869	4069	4469
D (mm)		Ø1840			Ø2020		
L (mm)		1170			1260		
B (mm)		1280			1580		
C (mm)		320			320		
m (mm)		800			800		
n (mm)		500			500		



Dust Filter LYDZ

Type	LYDZ 120			LYDZ 130		
No. of Bag	120			130		
Length of bag (mm)	1800	2000	2400	1800	2000	2400
Air volume (m ³ /h)	4752~23760	5298~26490	6378~31890	5148~25740	5736~28680	6906~34530
Filter area (m ²)	79.2	88.3	106.3	85.8	95.6	115.1
MODEL(A)	H	4373	3673	4073	3473	3673
	H ₁	3070	3270	3670	3070	3270
	H ₂	2305	2505	2905	2270	2470
MODEL(C)	H	5252	5452	5852	5349	5549
	H ₁	5349	5549	5449	4944	5144
	H ₂	4149	4349	4749	4144	4344
D (mm)	Ø2225			Ø2300		
L (mm)	1363			1400		
B (mm)	1840			2000		
C (mm)	320			320		
m (mm)	930			1000		
n (mm)	500			500		

