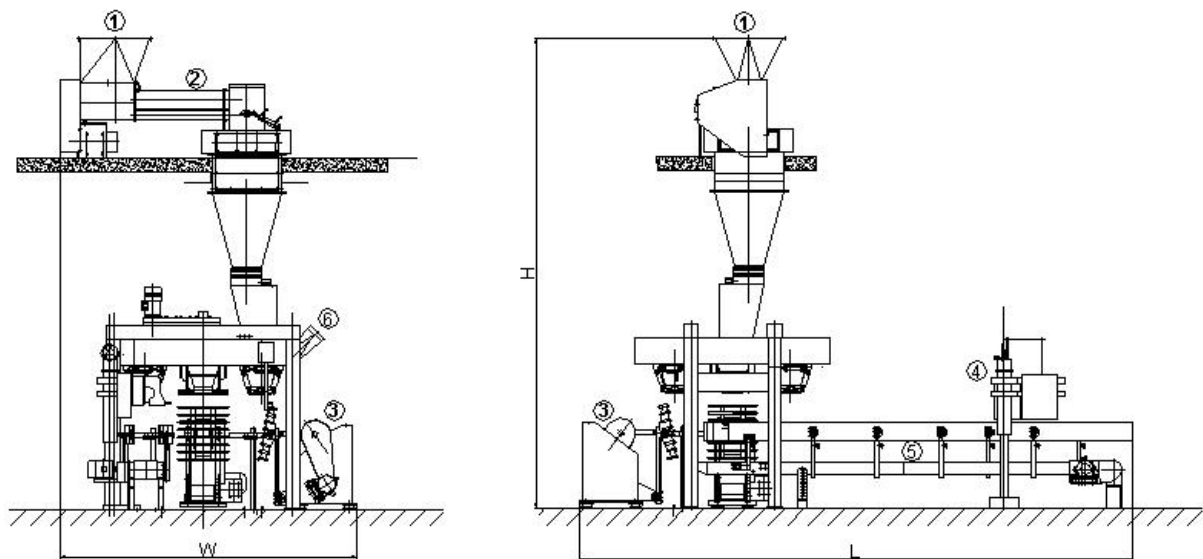


Four-position Packing Unit TDBZ

| | | |
|--------------------------|--------------------|-----------------|
| Type | | TDBZ-4 |
| Weighing range (kg/b) | | 10~25 |
| Speed of operation (b/h) | | 600b/h (25kg/b) |
| Tolerance | | ±0.2% |
| Power (kw) | Feeder | 4kw+2.2kw |
| | Paker | 0.4kw |
| | Rammer | 1.1kw |
| | Bag sewing machine | 1.1kw |
| | Conveyor | 0.37kw |
| Dimension (mm) L×W×H | | 6300×3320×5280 |



- ① Inlet ② Double screws feeder ③ Bag vibrating
 ④ Sewing machine ⑤ Belt conveyor ⑥ Aspiration