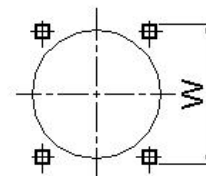
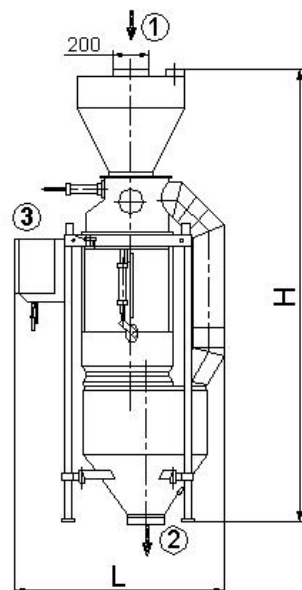




Automatic Flow Scale LCS

Type	LCS-60LJ	LCS-100LJ	LCS-125LJ	LCS-200LJ	LCS-300LJ
Weighing range (kg)	10~60	10~100	10~125	50~200	50~300
Capacity (t/h)	15	24	30	50	60
Tolerance	±0.2%				
Air source requirement	0.4~0.6MPa, 0.1m ³ /min				
Weight (kg)	300	360	450	600	700
Dimension (mm) L×W×H	800×1080× 2500	870×1160× 3000	870×1160× 3200	1010×1300× 3600	1010×1300× 3800



① Inlet

② Outlet

③ Operator panel