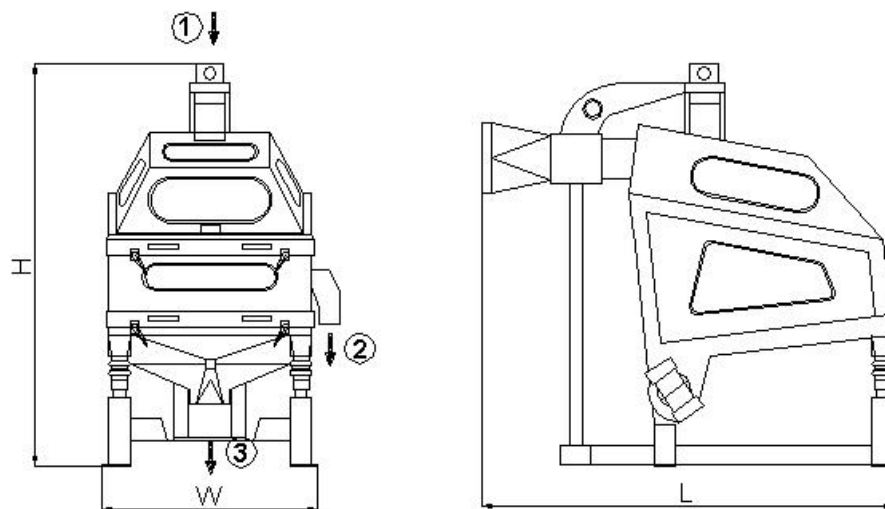




Brown Rice Conditioner CZML

Type	CMZL-80	CMZL-100	CMZL-120
Capacity (t/h)	1.5~2.5	2.5~3.5	3.5~5
Power (kw)	0.25×2	0.4×2	0.4×2
Air volume (m ³ /min)	60~80	80~100	100~120
Weight (kg)	350	450	600
Dimension (mm) L×W×H	1800×1060×1750	1800×1260×1850	1800×1460×1850



① Product inlet

② Broken rice

③ Product outlet