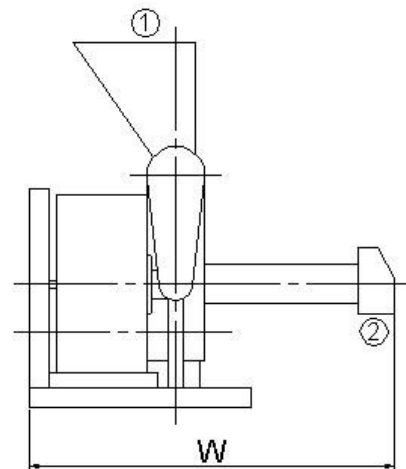
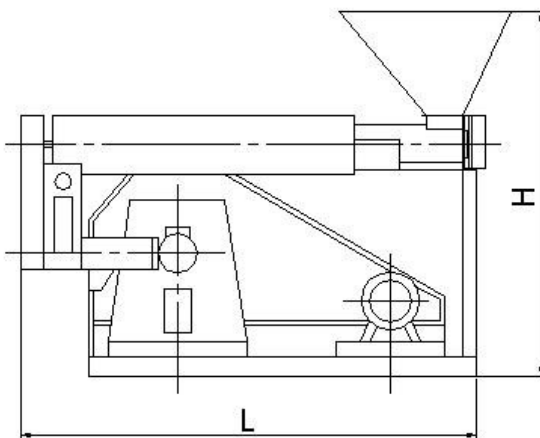




Extruder SDET

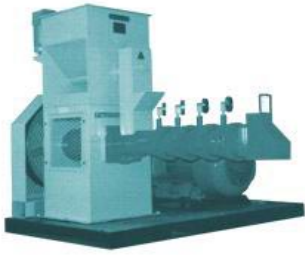
Type	SDET 55	SDET 75	SDET 90
Capacity (t/h)	0.6t/h	1.0t/h	1.5t/h
Main motor power (kw)	55	75	90
Feeder motor power(kw)	2.2	2.2	3.0
Dimension (mm) L×W×H	2460×2250×2020	2460×2250×2020	2460×2250×2020



Wet extruding

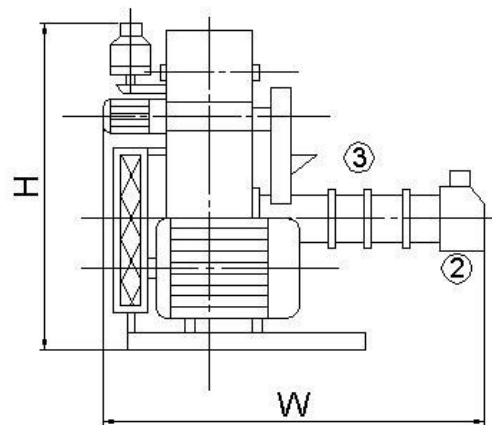
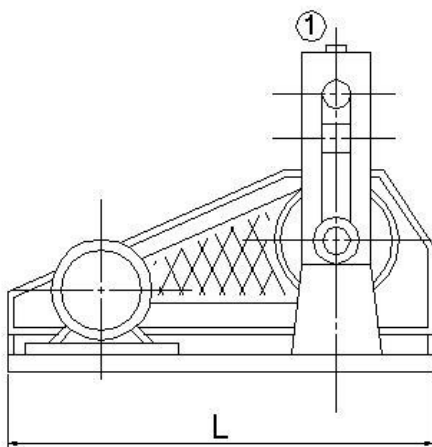
① Product inlet

② Product outlet



Extruder SDET

Type	SDET 55	SDET 75	SDET 90
Capacity (t/h)	0.4t/h	0.6t/h	1.0t/h
Main motor power (kw)	55	75	90
Feeder motor power(kw)	1.1	1.1	1.1
Dimension (mm) L×W×H	1920×2180×1670	2110×2180×1715	2300×2180×1715



Dry extruding

① Product inlet

② Product outlet

③ Extruder