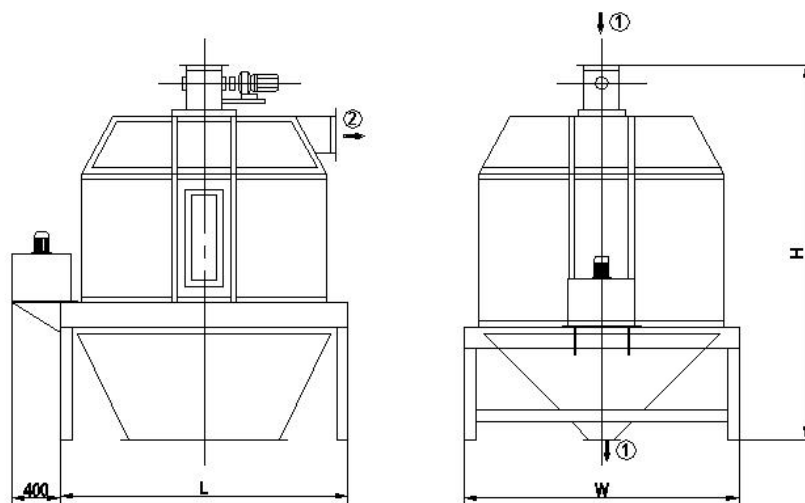




Counterflow Cooler SDCC

Type	SDCC 5	SDCC 10	SDCC 15	SDCC 20	SDCC 25	SDCC 30
Capacity (t/h)	5	10	15	20	25	30
Main motor power (kw)	1.1	1.5	1.5	2.2	2.2	2.2
Feeder motor power (kw)	0.75	0.75	1.1	1.1	1.1	1.1
Air volume (m ³ /min)	125	250	375	500	625	750
Fan power (kw)	11	22	30	37	45	55
Dimension (mm) L×W×H	1760×1680× 2840	2300×2200× 2990	2300×2200× 3350	2650×2550× 3350	3000×2880× 3400	3220×3060× 3700



① Product inlet

② Aspiration connection

③ Product outlet