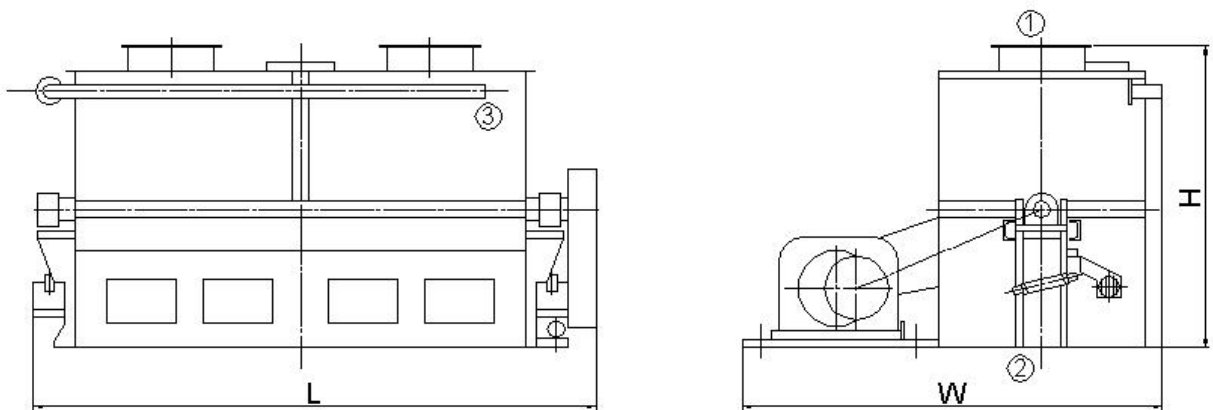


Ribbon Mix SLHY

Type	SLHY 0.25	SLHY 0.6	SLHY 1	SLHY 2.5	SLHY 5
Effective volume (m ³)	0.25	0.6	1	2.5	5
Mixing capacity per batch (t)	2	1	0.5	0.25	0.1
Uniformity of mixing (CV%≤)	7	7	7	7	7
Mixing period per batch (min)	3~6	3~6	3~6	3~6	3~6
Power (kw)	2.2	5.5	11	18.5	37
Dimension (mm) L×W×H	1825×1243× 915	2355×1630× 1180	2561×1830× 1300	3265×2435× 1750	4165×2680× 2045



① Product inlet

② Product outlet

③ Liquid addition