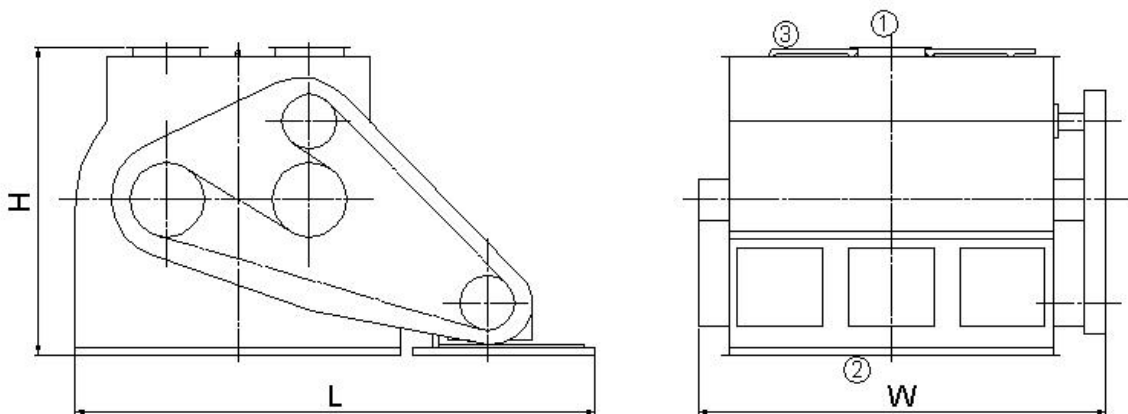




Paddle Mixer SLHJ2

Type	SLHJ 2-0.5	SLHJ 2-1	SLHJ 2-2	SLHJ 2-4
Effective volume (m ³)	0.5	1	2	4
Mixing capacity per batch (kg)	250	500	1000	2000
Mixing period per batch (s)	60	60	60	60
Uniformity of mixing (CV%≤)	5	5	5	5
Power (kw)	5.5	11	18.5	30
Dimension (mm) L×W×H	2025×1760×1250	2245×2060×1450	3065×2400×1800	3545×3160×2130



① Product inlet

② Product outlet

③ Liquid addition