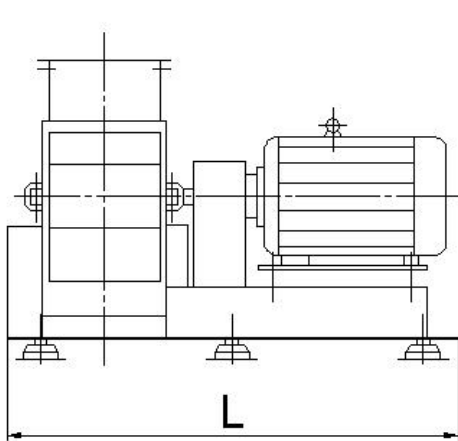
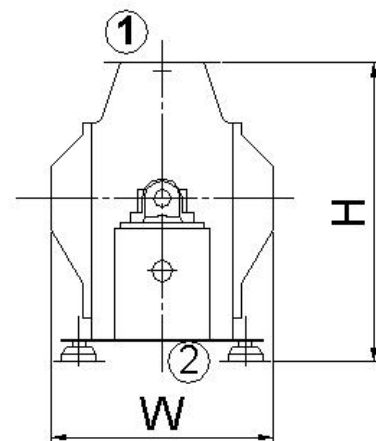


Hammer Mill SFSP

Type	SFSP56×30	SFSP56×40	SFSP112×30	SFSP112×40
Rotor dia. (mm)	560	560	1080	1080
Speed of main shaft : (r/min)	2940/2930	2950	1480	1480
No. of beaters (pcs)	16	24	36	48
Power (kw)	22/18.5	30/37	55/75	110/90
Capacity (t/h)	3/2.5	5/4	10/7.5	15/12
Air volume (m ³ /min)	18/16	25/22	38/33	50/45
Weight (kg)	700/650	790/711	1510/1340	1950/1610
Dimension (mm) L×W×H	1410×800×1000	1628×800×1000	1741×1360×1550	2061/1891×1360×1550



① Product inlet



② Product outlet