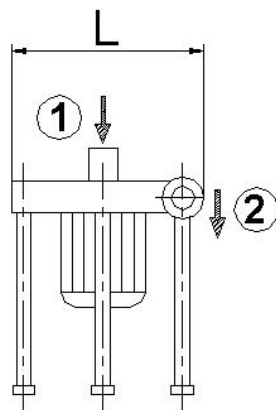


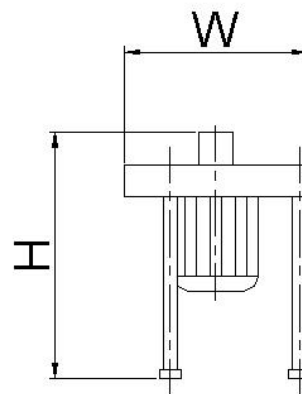


## Impact Detacher FSJZ

Type	FSJZ43p	FSJZ43q	FSJZ51q
Rotor dia. (mm)	430	430	510
Power (kw)	3~7.5	3~5.5	4~15
Rotor speed (r/min)	2900	2900	2900
Capacity (t/h)	1.5~6.5	1.5~4	0.8~4
Weight (kg)	179~216	128~198	220~287
Dimension (mm) L×W×H	693×693×794	720×720×794	800×800×794



① Product inlet



② Product outlet