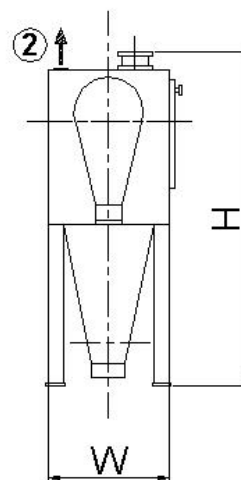
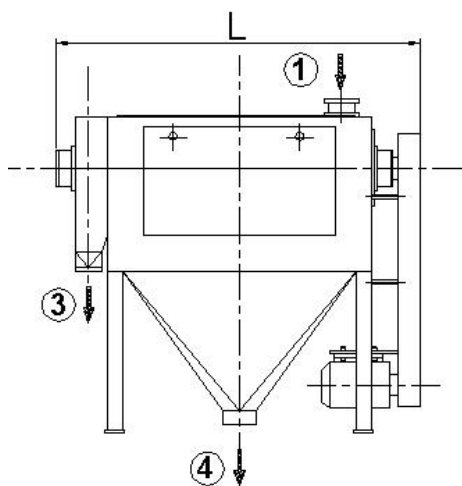




Bran Finisher FFPD

Typel	FFPD30	FFPD30×2	FFPD45	FFPD45×2
Drum dia. (mm)	300	300	450	450
Drum length (mm)	800	800	1100	1100
Capacity (t/h)	0.9~1.1	1.8~2.2	1.3~1.6	2.6~3.2
Power (kw)	2.2	2.2×2	5.5	5.5×2
Weight (kg)	360	720	440	800
Dimension (mm) L×W×H	1307×436×1568	1307×872×1568	1650×550×1515	1650×1172×1515



① Product inlet

③ Outlet of "overtail" product

② Aspiration connection

④ Outlet of "through" product