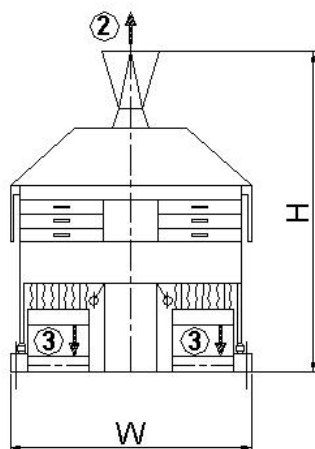


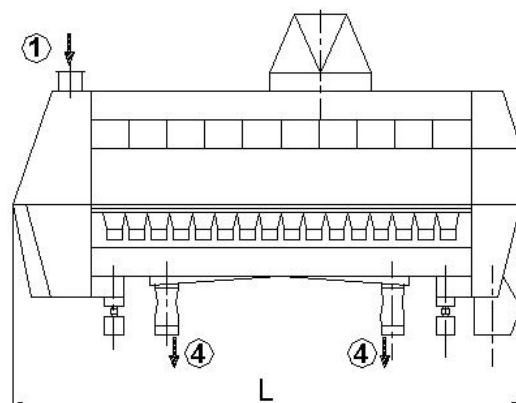


Purifier FQFD

Type	FQFD49×2×3	FQFD59×2×3
Seive width (mm)	490×2	590×2
Air volume (m ³ /min)	40~70	50~80
Seive boat	2units	2units
Sieve deck	3pcs	3pcs
Power (kw)	2×0.18	2×0.18
Capacity (t/h)	0.8~2.8	0.96~3.3
Dimension (mm) L×W×H	2100×1290×1700	2100×1490×1700



- ① Product inlet
- ② Aspiration connection



- ③ Outlet of "overtail" product
- ④ Outlet of "through" product