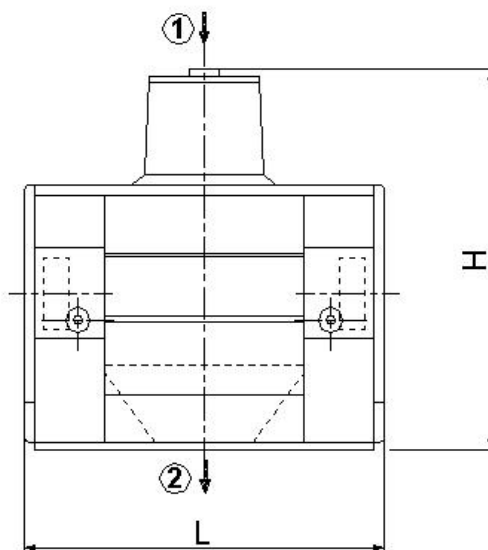


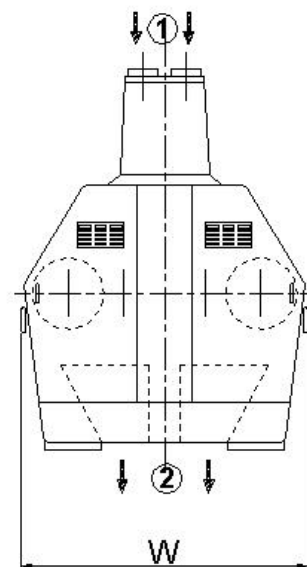


Roller Mill MME

Type	MME 25/125	MME 25/100	MME 25/80
Roll dimension (mm)	Ø250×1250	Ø250×1000	Ø250×800
Rang of roll dia. (mm)	Ø250~Ø230		
Speed ratio	1.25 : 1 1.5 : 1 2 : 1 2.5 : 1		
Power (kw)	37~5.5		
Working pressure of pneumatic system (MPa)	0.6		
Weight (kg)	3800	3200	2700
Dimension (mm) L×W×H	2060×1440×1914	1810×1440×1914	1610×1440×1914



① Product inlet

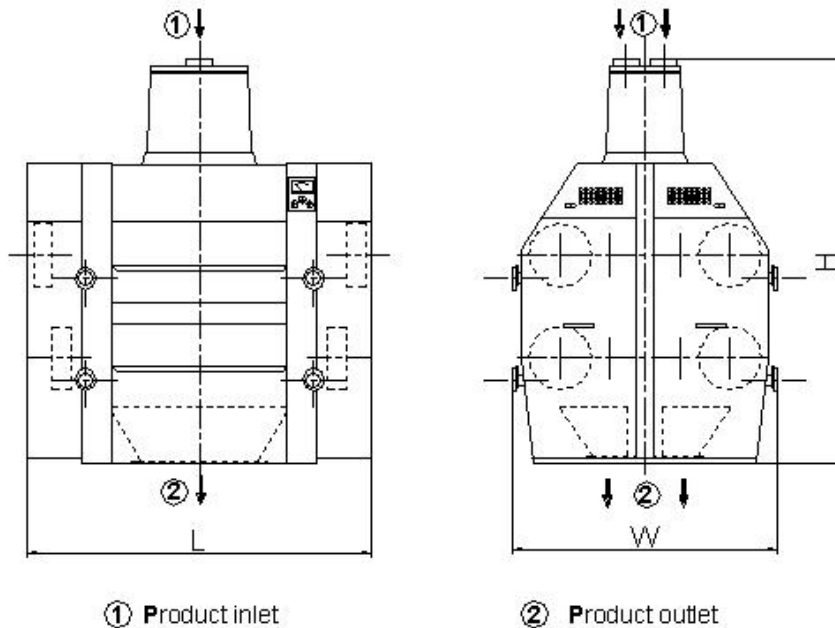


② Product outlet



Roller Mill MML

Type	MML 25/100	MML 25/80
Roll dimension (mm)	Ø250×1000	Ø250×800
Rang of roll dia. (mm)	Ø250~Ø230	
Speed ratio	1.25 : 1 1.5 : 1 2 : 1 2.5 : 1	
Power (kw)	30~5.5	
Working pressure of pneumatic system (MPa)	0.6	
Weight (kg)	5500	4800
Dimension (mm) L×W×H	1970×1510×2285	1770×1510×2285





Roller Mill MMD

Type	MMD 25/125	MMD 25/100	MMD 25/80	MMD 25/60	MMD 30/125	MMD 30/100
Roll dimension (mm)	Ø250 × 1250	Ø250×1000	Ø250× 800	Ø250×600	Ø300×1250	Ø300×1000
Rang of roll dia. (mm)	Ø250~Ø230				Ø300~Ø270	
Speed ratio	1.25 : 1 1.5 : 1 2 : 1 2.5 : 1					
Power (kw)	30~5.5				45~7.5	
Working pressure of pneumatic system (MPa)	0.6					
Weight (kg)	4100	3300	3000	2700	5000	3800
Dimension (mm) L×W×H	2060× 1490× 1920	1810×1490× 1920	1610×1490× 1920	1410×1490× 1920	2060×1690× 1930	1810×1690× 1930

