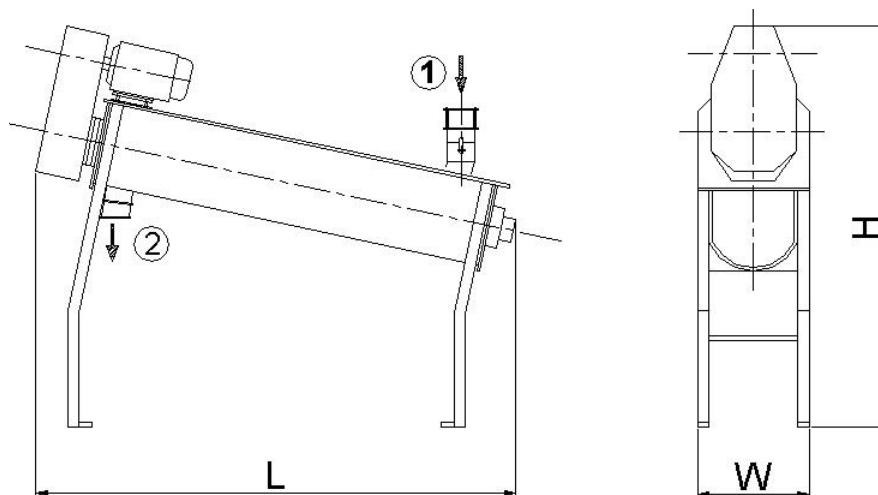




Intensive Dampener FZSQ

Type	FZSQ25×125	FZSQ32×180	FZSQ40×200	FZSQ40×250
Capacity (t/h)	4~6	8~9	10~12	16~17
Rotor speed (r/min)	650	490	410	450
Max. dampening water (%)	4	4	4	4
Broken wheat increase (%)	<2	<2	<2	<2
Moisture accuracy (%)	≤±0.5	≤±0.5	≤±0.5	≤±0.5
Power (kw)	2.2	3	5.5	7.5
Weight (kg)	420	460	500	550
Dimension (mm) L×W×H	1585×430×1490	2180×530×1780	2410×600×1950	2850×600×1820



① Product inlet

② Product outlet