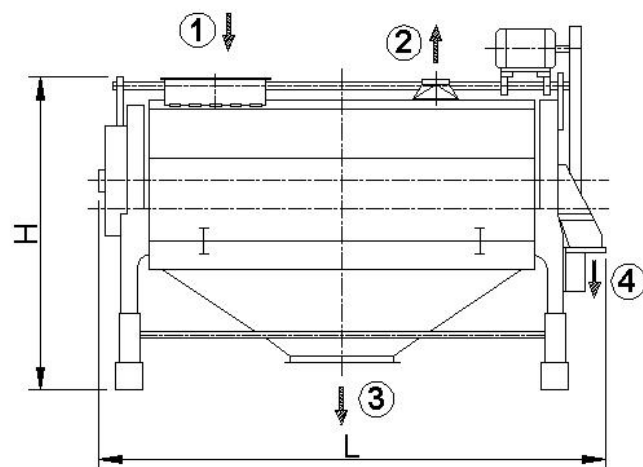
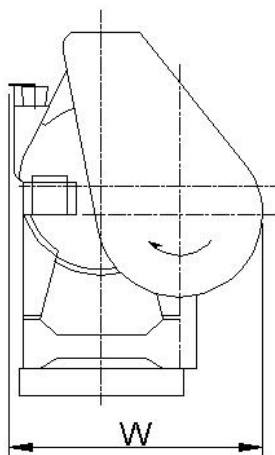


Disk Separator FJXD

Type	FJXD-63-1Y	FJXD-63-1Q
Disk diameter (mm)	630	630
Disk quantity (pcs)	23	23
Rotary speed (r/min)	59	56
Power (kw)	2.2	2.2
Air volume (m ³ /min)	10~15	10~15
Capacity (t/h)	6	5.2
Dimension (mm) L×W×H	2230×1110×1586	2230×1110×1586



① Product inlet

② Aspiration connection

③ Product outlet