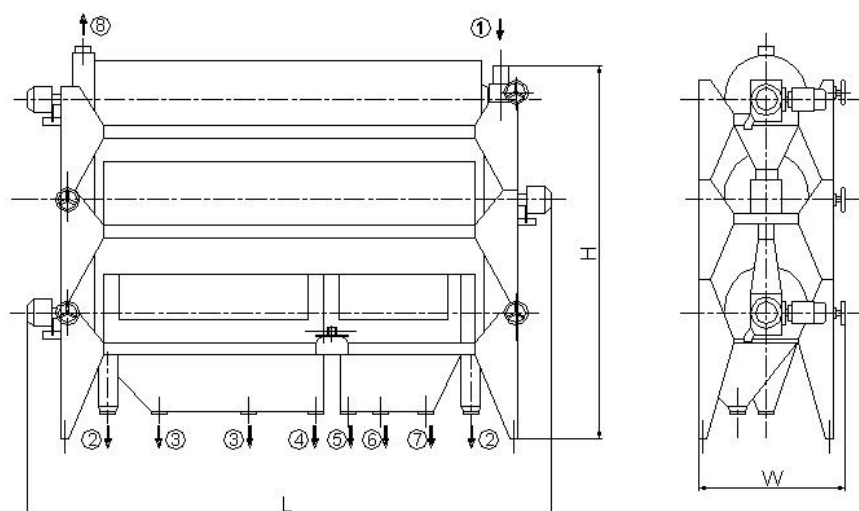




## Indented Cylinder Separator/Trieur FGJZ / FJXG

Type	FGJZ63×200A	FGJZ63×250A	FGJZ63×300A	FGJZ71×300A	FGJZ63×300H	FJXG71×1	FJXG71×2
Capacity (t/h)	5	6.5	8	9	12	4	8
Removal efficiency	Buckwheat≥75% Oat≥75%						
Air volume (m <sup>3</sup> /min)	15	15	15	15	15	8	10
Resistance (Pa)	350	350	350	350	350	120	120
Power (kw)	5.9	5.9	5.9	5.9	5.9	2.6	4.1
Weight (kg)	2250	2430	2600	2800	2350	1500	2000
Dimension (mm) L×W×H	3180×1140 ×2900	3680×1140 ×2900	4180×1140 ×2900	4180×1140 ×3060	4180×1140 ×2900	3280×1000 ×1900	3315×1100 ×2570



- ① Product inlet      ③ Fine oats outlet      ⑤ Cockle and broken wheat outlet      ⑦ Pea outlet
- ② Main outlet      ④ Coarse oats outlet      ⑥ Small grain outlet      ⑧ Aspiration connection