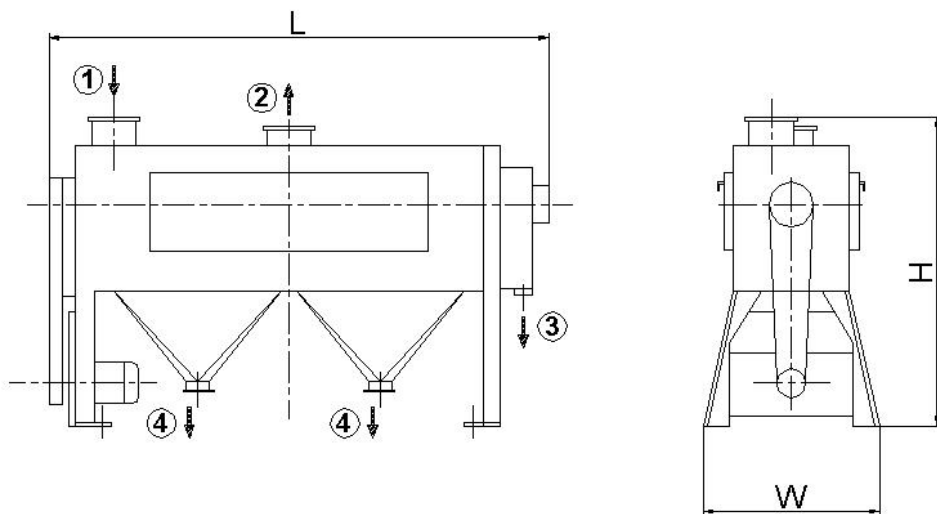




Horizontal Scrounger FDMW

Type	FDMW 40×60	FDMW 40×100	FDMW 40×150	FDMW 40×150×2
Drum dia. (mm)	Ø400	Ø400	Ø400	Ø400
Drum length (mm)	600	1000	1500	1500
Speed (r/min)	800~1300	800~1300	800~1300	800~1300
Capacity (t/h)	3~5	5~8	8~13	13~25
Power (kw)	4.0/5.5	5.5/7.5	7.5/11	15/22
Weight (kg)	550	650	750	1500
Dimension (mm) L×W×H	1700×920×1686	2100×920×1686	2600×920×1686	2600×1200×1686



① Product inlet ② Aspiration connection ③ Product outlet ④ Screenings outlet