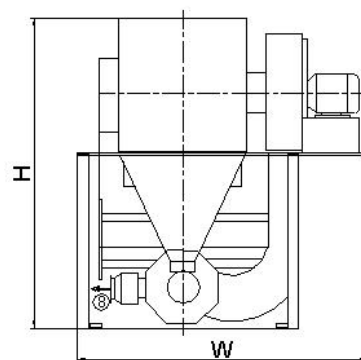
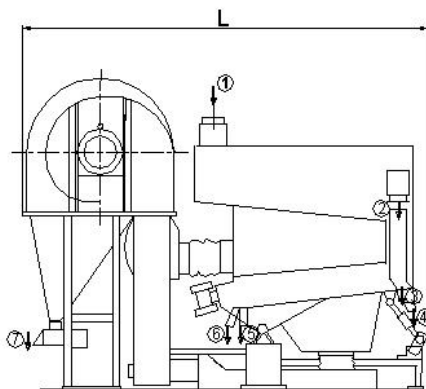




# Combi-cleaner with Air Recycle System TQZX

Type	TQZX-50	TQZX-63	TQZX-80	TQZX-100	TQZX-125	TQZX-150
Capacity (t/h)	4~6	5~7	7~9	9~12	12~18	16~26
Sieve width (cm)	50	63	80	100	125	150
Auxiliary air volume (m <sup>3</sup> /h)	380	450	500	680	858	960
Air volume (m <sup>3</sup> /h)	4000	5000	6000	8000	10200	11800
Power (kw)	4.0	5.0	6.5	8.5	12	16.2
Weight (kg)	450	520	680	760	990	1050
Dimension (mm) L×W×H	2880×746 ×2620	2880×876 ×2620	2880×1064 ×2620	2880×1264 ×2680	2880×1490 ×2680	2880×1746 ×2680



- ① Product inlet
- ② Coarse screenings outlet
- ③ Fine screenings outlet
- ④ Stones outlet
- ⑤ Heavy fraction product outlet
- ⑥ Light fraction product outlet
- ⑦ Light screenings outlet
- ⑧ Aspiration connection