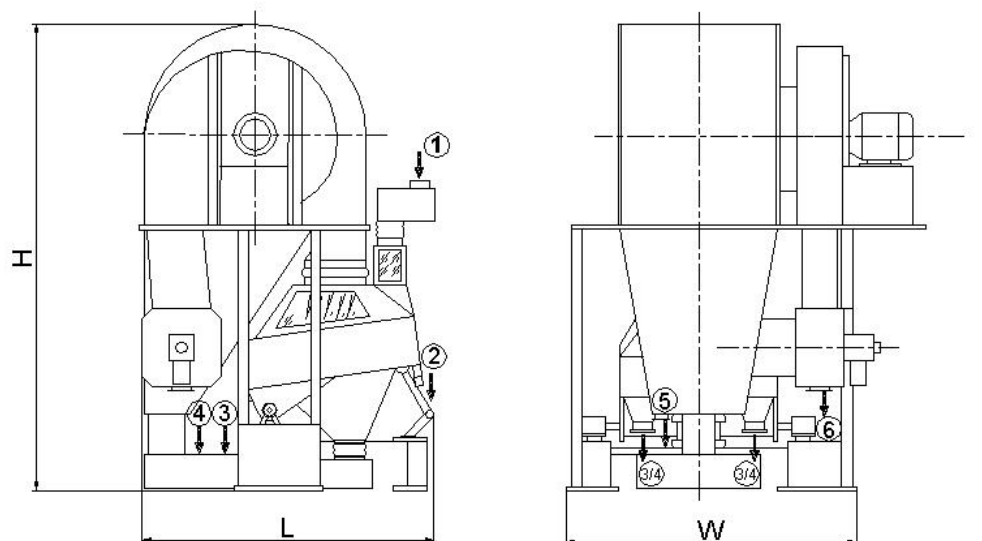




Destoner with Air Recycle System TQFX

Type	TQFX50	TQFX63	TQFX80	TQFX100	TQFX125	TQFX150	TQFX175	TQFX200	TQFX250
Sieve width (cm)	50	63	80	100	125	150	175	200	250
Capacity (t/h)	4~6	5~7	7~9	9~12	12~18	16~22	17~24	18~26	20~32
Weight (kg)	450	520	680	760	990	1050	1132	1289	1568
Power (kw)	4.0	5.0	6.5	8.5	12	16.2	18.2	23.7	23.7
Dimension (mm) L×W×H	1680× 746 ×2880	1680× 876 ×2880	1680× 1064 ×2880	1680× 1264 ×2880	1680× 1490 ×2880	1680× 1746 ×2880	1680× 1996 ×2880	1680× 2246 ×2880	1680× 2746 ×2880



- ① Product inlet
- ③ Heavy fraction product outlet
- ⑤ Light screenings outlet
- ② Stones outlet
- ④ Light fraction product outlet
- ⑥ Aspiration connection