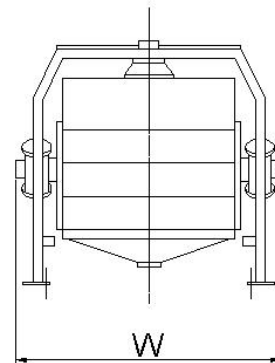
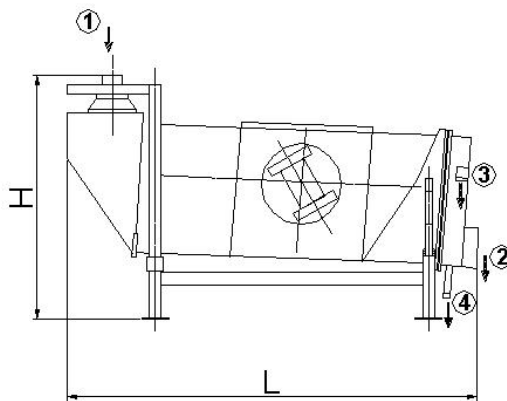


Vibrating Separator TQLZ

Type	TQLZ 60×100	TQLZ 100×100	TQLZ 100×150	TQLZ 100×200	TQLZ 150×150	TQLZ 150×200	TQLZ 180×200
Sieve dimension (cm)	60×100	100×100	100×150	100×200	150×150	150×200	180×200
Capacity (t/h)	5~20	8~30	12~50	16~60	18~75	24~100	28~120
Power (kw)	2×0.25	2×0.25	2×0.37	2×0.37	2×0.55	2×0.75	2×1.1
Weight (kg)	360	420	520	540	630	650	1000
Dimension (mm) L×W×H	1640×1210 ×1450	1640×1610 ×1450	2140×1610 ×1490	2640×1610 ×1600	2140×2110 ×1490	2640×2110 ×1600	2740×2510 ×1980



① Product inlet

③ Coarse screenings outlet

② Product outlet

④ Fine screenings outlet