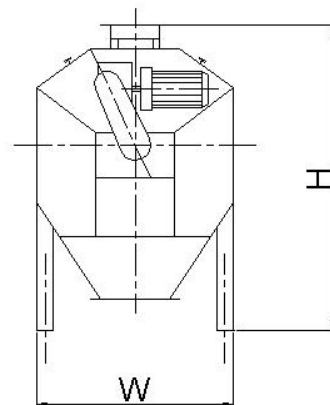
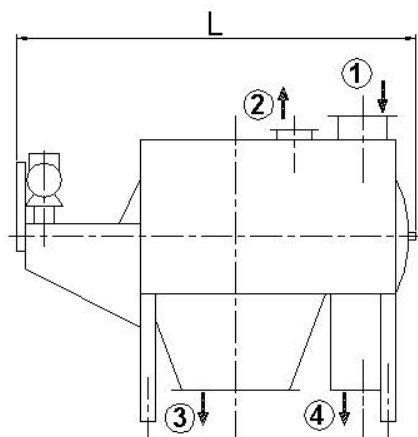




Drum Pre-cleaner TCQY

Type	TCQY 50	TCQY 63	TCQY 80	TCQY100	TCQY 125
Drum dia. (mm)	Φ500	Φ630	Φ800	Φ1000	Φ1250
Capacity (t/h)	5~10	10~20	25~40	50~65	50~100
Air volume (m ³ /h)	480	480	720	900~1200	1200
Power (kw)	0.55	0.55~0.75	1.1	1.5~2.2	2.2
Weight (kg)	240	290	358	910	950
Dimension (mm) L×W×H	1360×620× 970	1735×840× 1240	1905×960× 1610	2026×1100× 1650	2000×1500× 2318



① Product inlet

② Aspiration connection

③ Product outlet

④ Screenings outlet